



C2 Authoritative Data Sources (ADS) Tutorial

**Mr. David Stroud
Support to
Data and Services Division (DSD)
United States Joint Forces Command**



Purpose



- **Provide an overview on current C2 Authoritative Data Source (ADS) efforts**
- **Provide a demonstration on the Enterprise ADS (EADS) tool**



Agenda



- **C2 Authoritative Data Sources (ADS)**
- **C2 ADS Exposure Schedule**
- **Other C2 ADS Efforts**
- **EADS Demo**



What is an ADS?



Authoritative Data Source:

A recognized or official data production source with a designated mission statement or source/product to publish reliable and accurate data for subsequent use by customers. An authoritative data source may be the functional combination of multiple, separate data sources.

Source: DoDD 8320.03, Unique Identification (UID) Standards for a Net-Centric Department of Defense, March 23, 2007

Enterprise Authoritative Data Source (EADS) Registry:

A DoD enterprise capability that provides one stop access to Authoritative Data Sources to improve search, access, consistency, and integration of data services as well as to increase collaboration amongst data producers and consumers.



FY10-14 ADS Exposure Schedule



FY 10-14 ADS Information Need Exposure

	FY10 Planned	FY11 Planned	FY12 Planned	FY13 Planned	FY14 Planned
Army	66	+6 (72)	+0 (72)	+0 (72)	+0 (72)
Navy	40	+24 (64)	+11 (75)	+0 (75)	+2 (77)
Air Force	12	+20 (32)	+26 (58)	+20 (78)	+16 (94)
Marine Corps	0	+0 (0)	+10 (10)	+0 (10)	+7 (17)
DISA	11	+1 (12)	+8 (20)	+0 (20)	+0 (20)
“Others”	26	+8 (34)	+0 (34)	+0 (34)	+4 (38)
Total	155	+59 (214)	+55 (269)	+20 (289)	+29 (318)



ADS Exposure Verification



ADS Information Need Exposure Progress

	1Q/FY11	2Q/FY11	3Q/FY11	4Q/FY11
	Actual / Planned	Actual / Planned	Actual / Planned	Actual / Planned
Army	46 / 68 68%	/ 69 %	/ 71 %	/ 71 %
Navy	30 / 40 75%	30 / 40 75%	30 / 40 75%	/ 64 %
Air Force	9 / 12 75%	/ 30 %	/ 32 %	/ 32 %
Marine Corps	0 / 0	0 / 0	0 / 0	0 / 0
DISA	4 / 11 36%	4 / 11 36%	/ 12 %	/ 12 %
"Others"	32 / 34 94%	/ 34 %	/ 34 %	/ 34 %
Total	121 / 165 73%	/ 166 %	/ 171 %	/ 195 %

- ADS exposure information collected and quarterly via JSAP J-6A 30317-09; 23 Nov 09
- Verified for CJCSI 6212.01E compliance (visible, accessible, understandable criteria for data and service exposure)
- Quarterly summary to C2 JCB, C2 CIB

**JFCOM Post Final Report
to Joint ADS Directory Wiki
(End of Quarter + 60 days)**

28 Feb 2011

31 May 2011

31 Aug 2011

30 Nov 2011



Other C2 ADS Efforts



- **Maintaining C2 ADS Exposure Schedule via the Enterprise ADS (EADS) Registry**
- **Mapping C2 ADS exposure schedule to 30 Joint Mission Threads**
 - Detailed mapping to Tier 1 JMTs as available
- **Integration with the Joint Combat Capability Developer (JCCD) processes / Release Plans**



EADS Background



- DoD CIO volunteered to champion an Enterprise ADS solution. Actions fall into two distinct, but related areas:
 - Policy Guidance
 - A material solution for an Enterprise ADS registry
- Initial requirements developed by the C2 ADS Working Group
- Jointly funded by DoD CIO and JFCOM



EADS Material Solution



- DoD CIO requested that DISA propose and develop a near-term capability that complements other related capabilities:
 - DoD Metadata Registry
 - NCES Service Registry
 - Enterprise Catalog
 - COI Directory
 - DISR, DITPR, E-ISP, Blue Sheets, etc.
- Adopted the C2 CPM ADS Directory as the baseline for the Enterprise ADS Registry



Benefits of Selected Approach



- Reduced cost & shortened implementation schedule by leveraging existing accreditation, hardware, etc.
- Simplifies integration with existing enterprise registries where related ADS information originates
- Integrated with NCES Enterprise Search capability
- Leverages DKO Single Sign-on



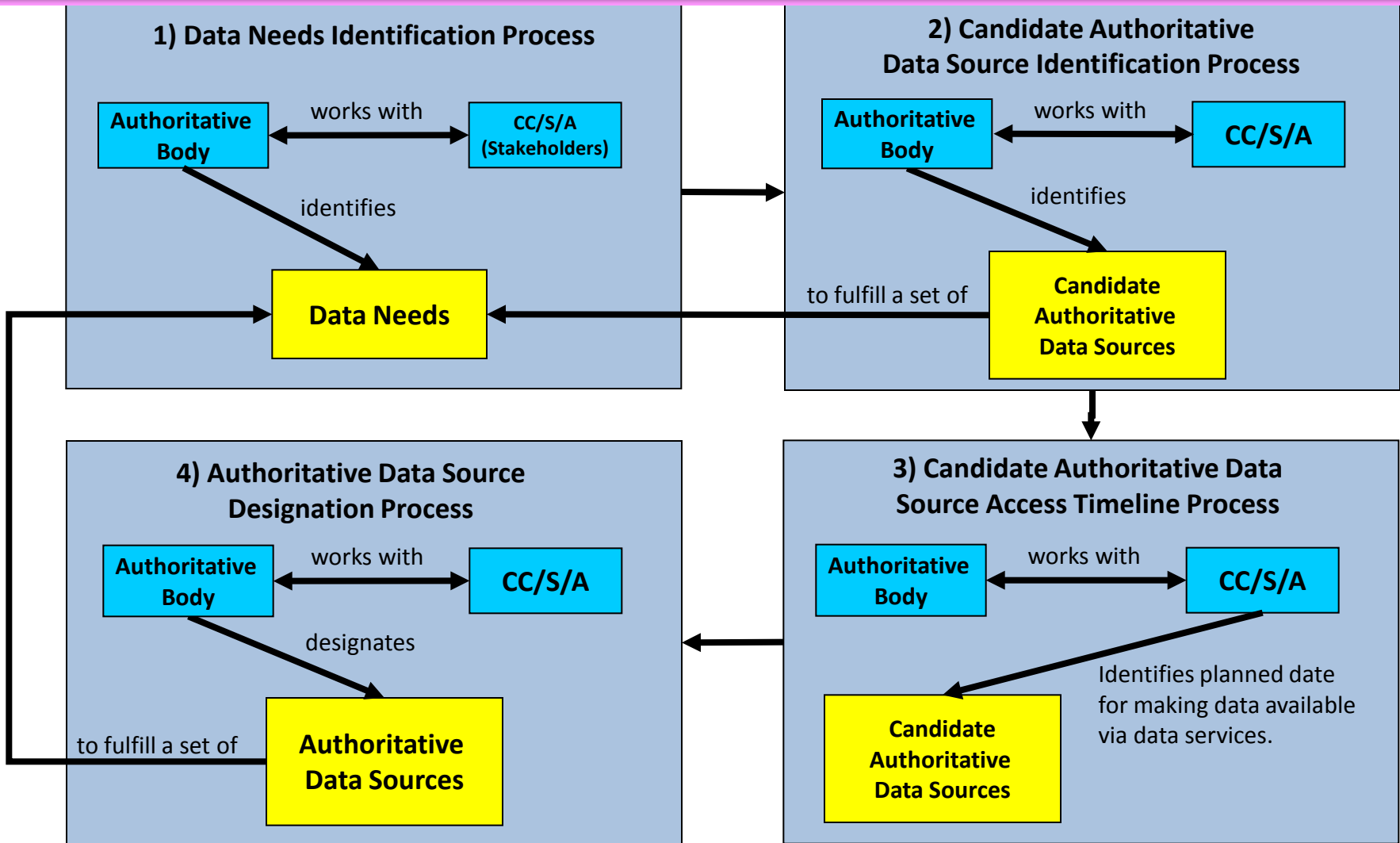
EADS Objectives



- Provide visibility of Enterprise Authoritative Data Sources
- Implement a governance construct for the establishment of ADSs
- Provide insight into the progress Data Owners are making in providing data services through NCES SOAF capabilities and standards



Operational Concept



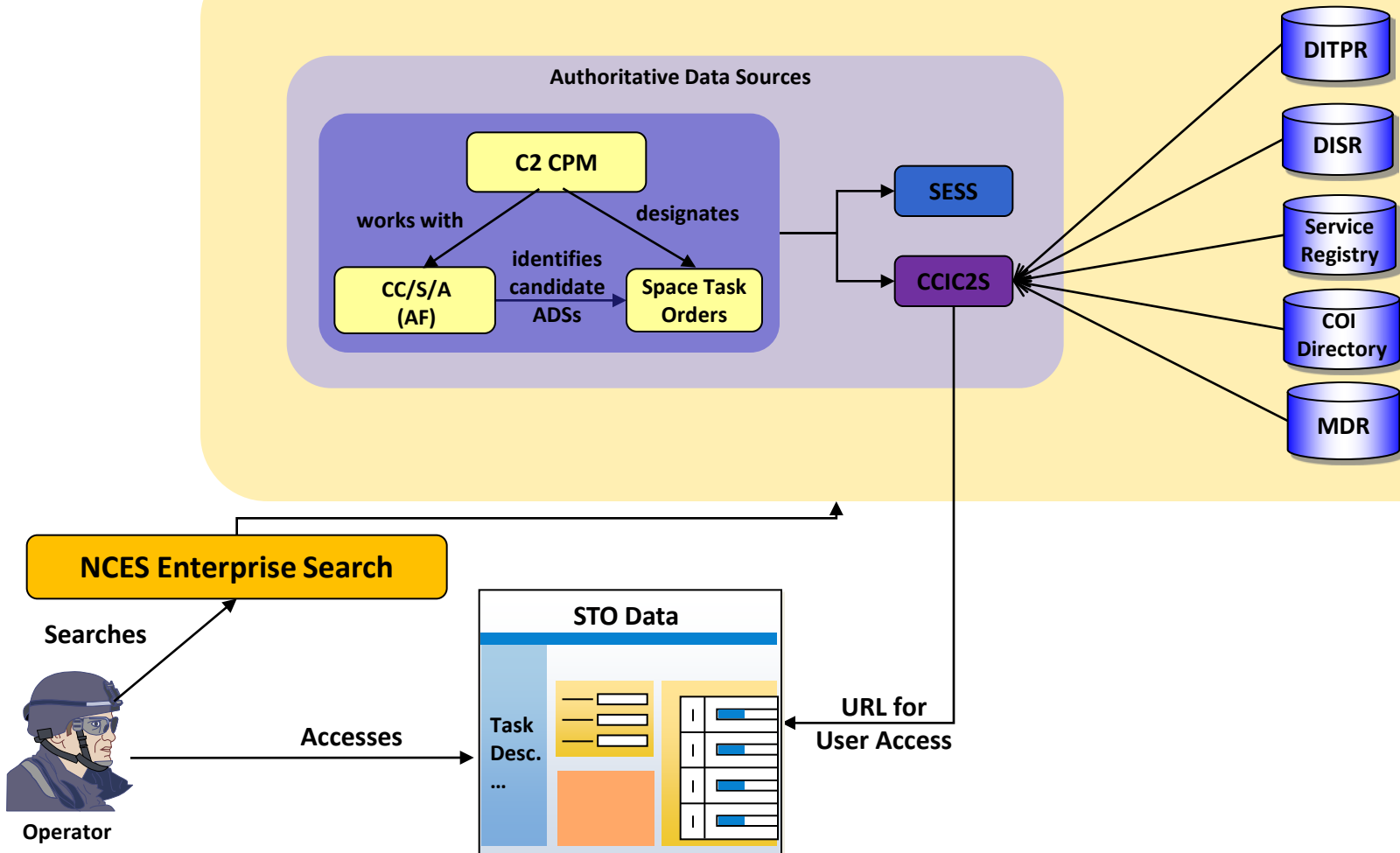
Note: COCOMS, Services, Agencies, CPMs and COIs may also be authoritative bodies.



Unanticipated User (Use Case)



Enterprise Authoritative Data Source Registry

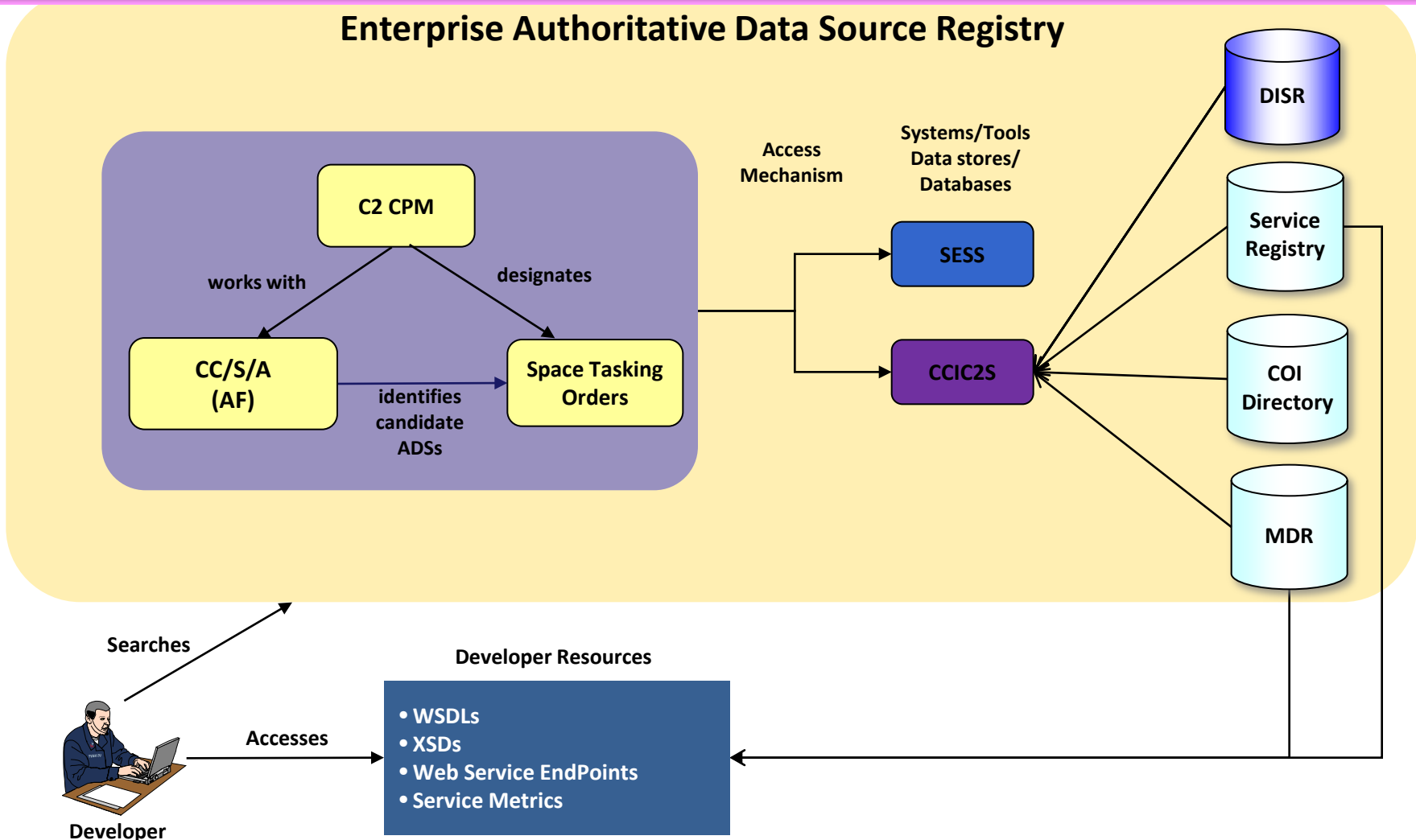


The EADS Registry will enable operators to discover authoritative and other registered sources to meet their data needs



Developer (Use Case)

Enterprise Authoritative Data Source Registry



The EADS Registry will enable developers to fuse data from other registered sources into new applications which are then discovered by the operators



EADS Current Status



- EADS Prototype : DEC 2009 - FEB 2010
 - Individual meetings with Army, Navy, Marine Corps
 - Also included C2 ADS WG Co-Chairs (JFCOM, DISA) and Members
- Joint meeting MAR 2010 to finalize requirements for initial registry
 - Agreed on need to establish EADS Registry CCB
- Migrated prototype to Production, v1.0:
 - Deployed May 2010 to production MDR
 - Includes backup sites to effect immediate COOP ability
- EADS v1.1 released DEC 2010
- EADS v1.2 scheduled for JUN 2011



EADS Registry



DATA SERVICES ENVIRONMENT

You are logged in as Praveena Raavicharla

UNCLASSIFIED

Welcome

Metadata Registry

Net-Centric Publisher

Service Discovery

EADS Registry

Enterprise Service Management

Logout

Home

View

Publish

Metrics

My Workspace

Help

Feedback and Support

EADS Admin →

ENTERPRISE AUTHORITATIVE DATA SOURCE REGISTRY

The Enterprise Authoritative Data Source (EADS) Registry provides one stop access to DoD data source directories to improve search, access, consistency, and integration of data services as well as to increase collaboration amongst data producers and consumers.

EADS will promote this vision by:

- Acting as a key enabler to make data discoverable
- Providing greater data visibility
- Reducing the need to stand up and maintain multiple data sources
- Streamlining the process to discover data services across the Department

Demonstration

EADS v1.0.0.0
Click here for "Feedback and Support".
Privacy Notice

- <https://metadata.ces.mil/eads>
- Access with your DKO user credentials
- User Forum: https://www.intelink.gov/wiki/C2_Authoritative_Data_Source_Working_Group
- Feedback: Feedback and Support Link above; C2 ADS WG Intellipedia site above



Questions?



Selected C2 ADS Links



Data and Services Division (DKO):

<https://www.us.army.mil/suite/page/473209>

Data and Services Division (JFCOM Portal):

<https://us.jfcom.mil/sites/J8/J87/default.aspx>

C2 ADSWG

<https://www.us.army.mil/suite/folder/14404883>

C2 ADSWG Wiki

https://www.intelink.gov/wiki/C2_Authoritative_Data_Source_Working_Group

Joint ADS Directory wiki:

https://www.intelink.gov/wiki/Joint_Authoritative_Data_Source_Directory

Enterprise ADS Registry:

<https://metadata.ces.mil/dse/login.htm>

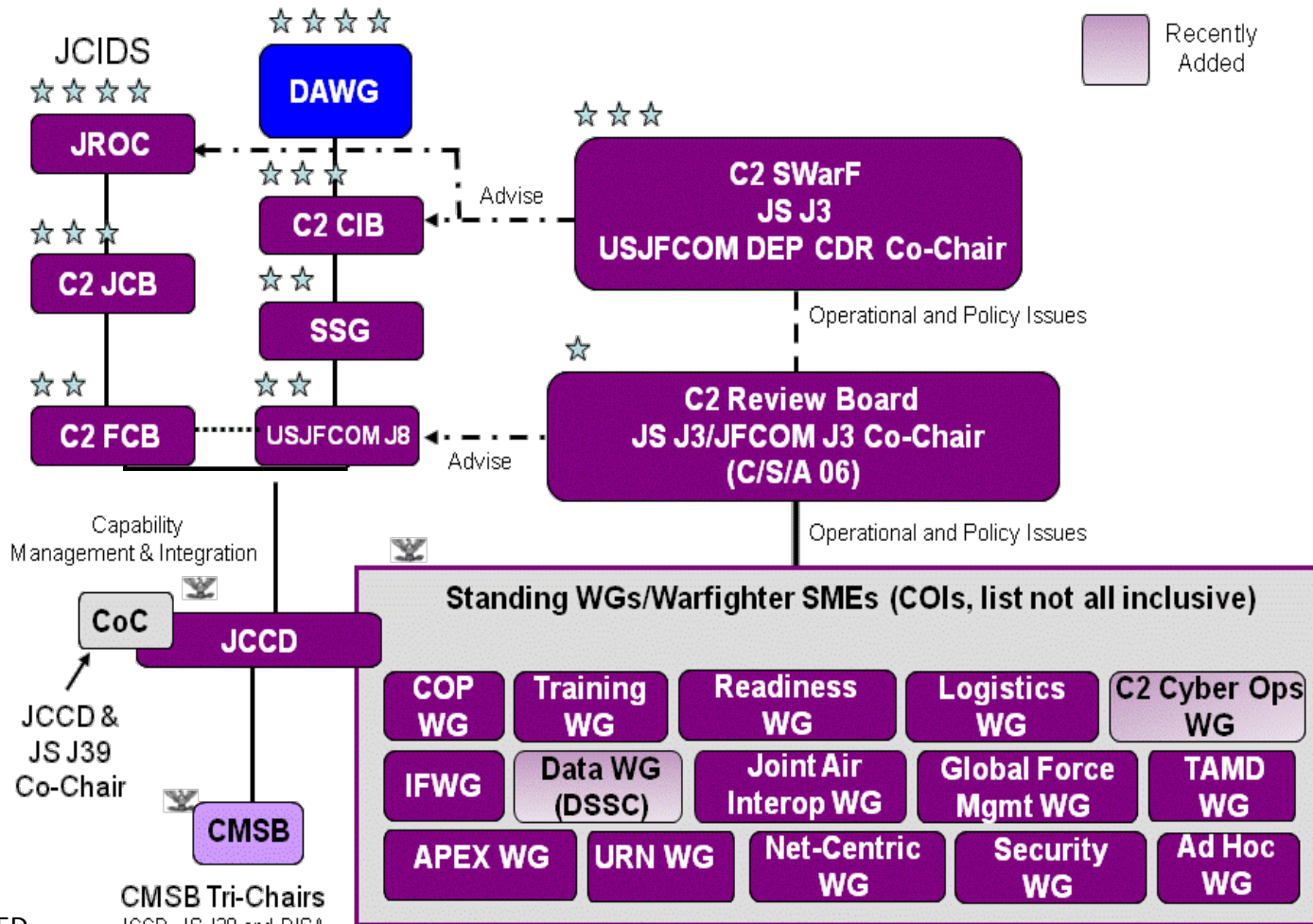
(Note: sign in to AKO/DKO first, then the above link for CAC access to EADS)



Joint C2 Capability Needs Process



CJCS 3265.01 C2 Governance & Management





In Progress C2 ADS Changes



Info Need	Type of Change	Proposed Change	Data Owner	Date Submitted	Status
Movement Schedules	Routine – Deletion (duplicate)	Delete TFMS - Movement Schedules	TRANSC OM	8/26/10	Awaiting 3265 review
Navy Unit Consumables List	Routine – Deletion (duplicate)	Delete from IGC	TRANSC OM	10/14/10	Awaiting 3265 review
Navy Unit Equipment List	Routine – Deletion (duplicate)	Delete from IGC	TRANSC OM	10/14/10	Awaiting 3265 review
Navy Unit Readiness	Routine – Deletion (duplicate)	Delete from IGC	TRANSC OM	10/14/10	Awaiting 3265 review
USMC Unit Current Availability Data	Routine – change of owner	Change from DRRS-A to DRRS-MC	Army	10/12/10	Awaiting 3265 review
USMC Unit Mobilization History	Routine – change of owner	Change from DRRS-A to DRRS-MC	Army	10/12/10	Awaiting 3265 review



In Progress C2 ADS Changes



Info Need	Type of Change	Proposed Change	Data Owner	Date Submitted	Status
USMC Unit Ops Tempo History	Routine – change of owner	Change from DRRS-A to DRRS-MC	Army	10/12/10	Awaiting 3265 review
TBM_GBM Early Warning_JAMD COI	Routine – deletion (duplicate)	Delete from JWARN	Army	11/16/10	Awaiting 3265 review
WMD Effects Warning and Reporting	Routine – change exposure date	Change exposure from 4QFY10 to 2QFY11	Army	11/16/10	Awaiting 3265 review
Army Unit Consumables List	Routine – deletion (duplicate)	Delete from AFATDS – to be exposed via LIW and DLA's IDE	Army	3/22/11	Awaiting JCCD assessment
Track Management Association	Routine – deletion (duplicate)	Delete from MCS – to be exposed via DCGS-A	Army	3/22/10	Awaiting JCCD assessment



ADS POC List



Organization	POC	Phone	Email
USA	Mr. Steve Ridings, USA CERDEC	732-532-5983 DSN 992-5983	steven.ridings@us.army.mil
USAF	Mr. Jeffery Lopes, SAF/X6WWJ	703-588-5034 DSN 425-5034	jeffery.lopes@pentagon.af.mil
	Mr. James Carney, SAF/A6WWJ		james.carney@pentagon.af.mil
USN	Mr. Paul Shaw, SPAWAR	619-524-7962	paul.shaw@navy.mil
USMC	Mr. Steve Knott, HQMC/C4	703-693-3477 DSN 223-3477	stephen.knott.ctr@usmc.mil
JS/J7	Ms. Jane Ward	703-693-4015 DSN 223-4015	jane.ward@js.pentagon.mil
TRANSCOM	Ms. Connie McCoy	618-229-1805	connie.mccoy@ustranscom.mil
	Mr. Dan Dibble	DSN 779-1805	daniel.dibble@ustranscom.mil
JFCOM	Mr. Dave Stroud , J87	757-836-7389 DSN 836-7389	david.stroud.ctr@jfc.com
	Mr. Brian Talicuran	757-836-6247	brian.talicuran.ctr@jfc.com
DISA	Dr. Glen White, PEO C2C	703-882-0555	glen.white@disa.mil
	Ms. Jaci Knudson	703-882-1442	jacqueline.knudson@disa.mil
	Ms. Carol Koepfel	DSN 381-1153	carol.koepfel.ctr@disa.mil
NGA	Ms. Veronica Harris, OCIOCE	703-814-4539	veronica.m.harris@nga.mil
	Mr. Sean Gaffney, NGA/ASU	703-755-5881	sean.w.gaffney.ctr@nga.mil
USD(P&R)	COL Simon Goerger	703-604-0838	simon.goerger@osd.mil
	Ms. Teresa Coady	703-604-0815	teresa.coady.ctr@osd.mil